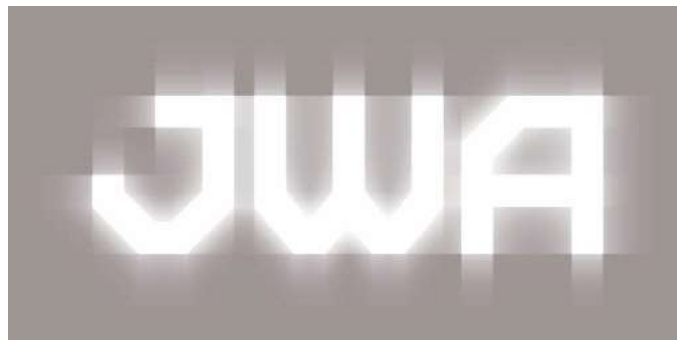
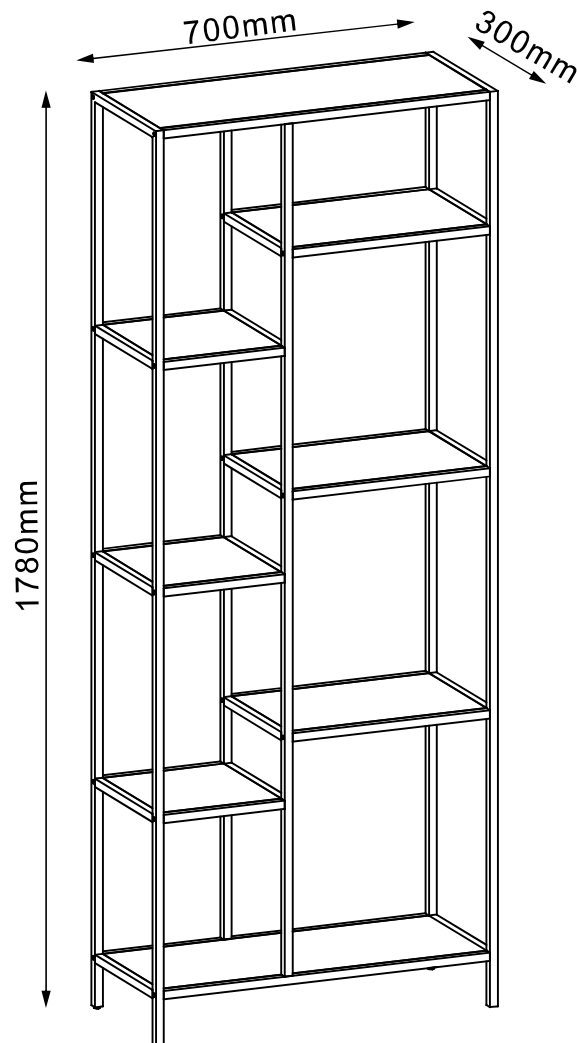


# ASSEMBLY INSTRUCTION

AMELIE

7 Tier Bookcase

ITEM CODE 75121

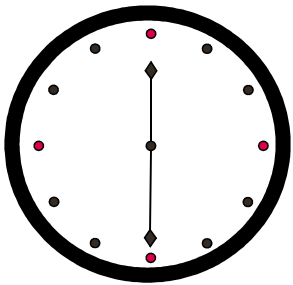
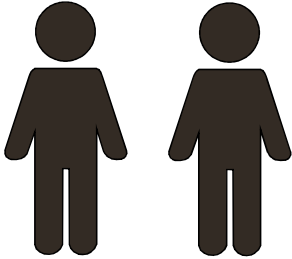



Imported by JWA Furniture Pty Ltd, Qld, Brisbane Australia.  
For any assistance with assembly or for missing parts please refer to your receipt

# PRE-ASSEMBLY PREPARATION

## Before you start:

1. Choose a clean, level, spacious assembly area. Avoid hard surfaces that may damage the product
2. Take care when lifting. Product should be assembled as near as possible to the point of use
3. Ensure that you have all required contents for complete assembly
4. Always read the assembly instructions carefully before beginning assembly.
5. Keep all hardware parts and packaging out of reach of small children.
6. Do not over tighten the screws and bolts as this may damage the threads
7. Assembly is to be carried out by a competent adult(s) ONLY
8. During assembly, children should be kept away from the product due to possible risk to injury.
9. Do not use this item if any components are missing or damaged.
10. Please keep the instructions for future reference.

		
Allow 30min	For 2 person	Additional tools required



## TIPPING WARNING





Serious or fatal injuries may occur from furniture toppling over. To help avoid this please follow the below recommendations;

- Install the provided "Tipping Kit" as per the instructions
- Never allow children to climb on or hang off of any part of this product
- Unless specifically designed to accommodate, do not set TVs or other heavy objects on top of this product

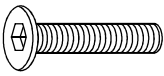
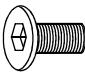

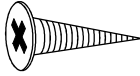
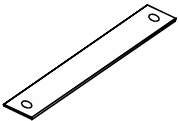
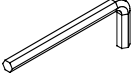
IF this product has drawers:

- Place the heaviest items in lowest drawers
- Do not open more than 1 drawer at a time as this may cause the product to become unbalanced
- Do not tamper with or remove any drawer interlocking/running system

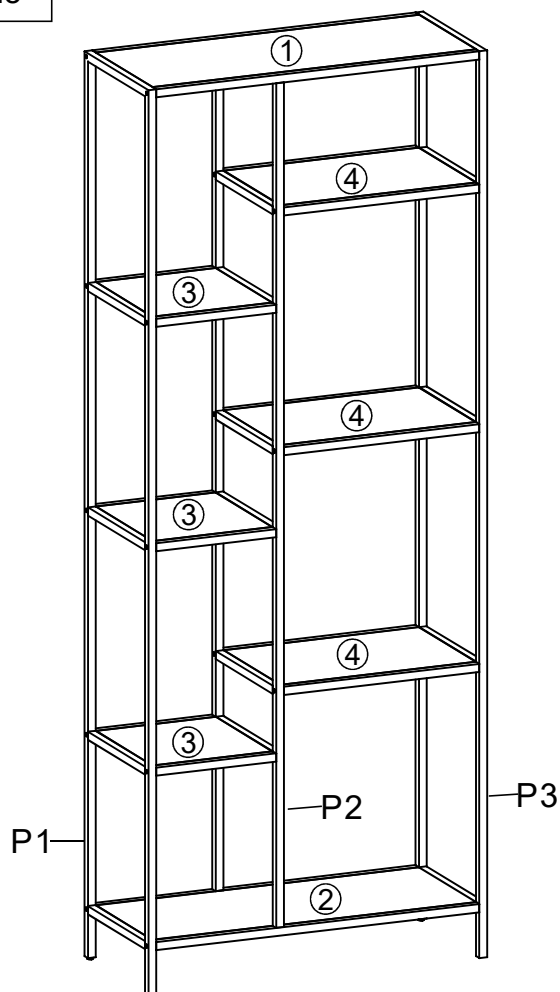
**Note:** The use of the provided "Tipping Kit" may reduce but not necessarily eliminate the risk of furniture toppling over. Please use this product with caution.

*This is a permanent label. Do not attempt to remove!*

# PARTS LIST

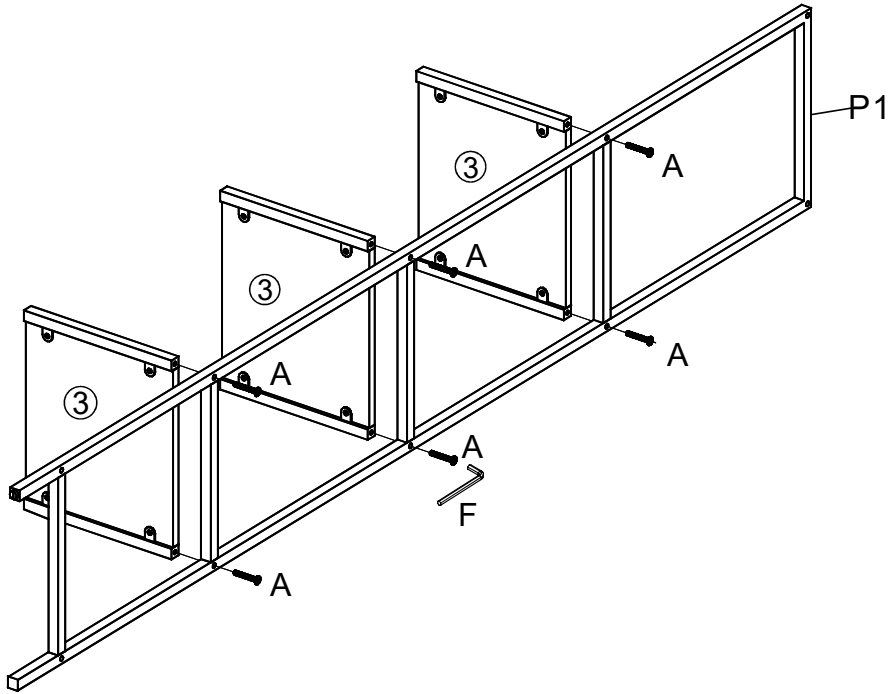
<p><b>A</b></p>  <p>M6X35 mm 34pcs</p>	<p><b>B</b></p>  <p>M6X12mm 2pcs</p>	<p><b>C</b></p>  <p>ST4X25mm 1pc</p>	<p><b>D</b></p>  <p>ST3.5X12mm 1pc</p>	<p><b>E</b></p>  <p>1pc</p>
<p><b>F</b></p>  <p>4mm 1pc</p>				

1	Top panel
2	Bottom panel
3	Left layer panel
4	Right layer panel
P1	Left main frame
P2	Middle main frame
P3	Right main frame



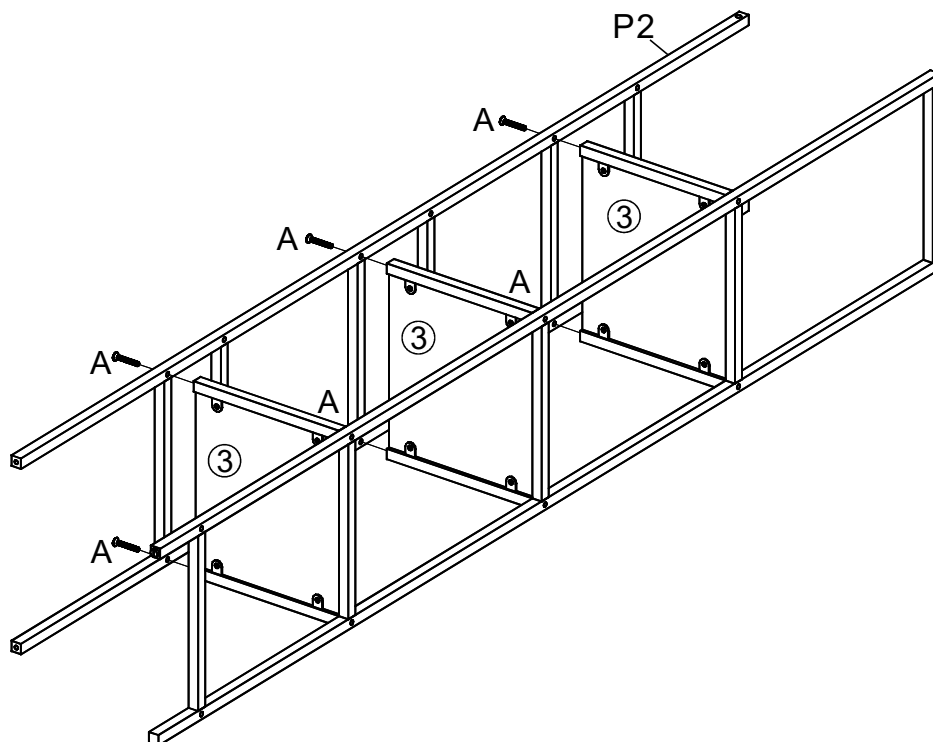
## STEP 1:

1. Attach panels 3 to main frame P1 with part A using allen key F.



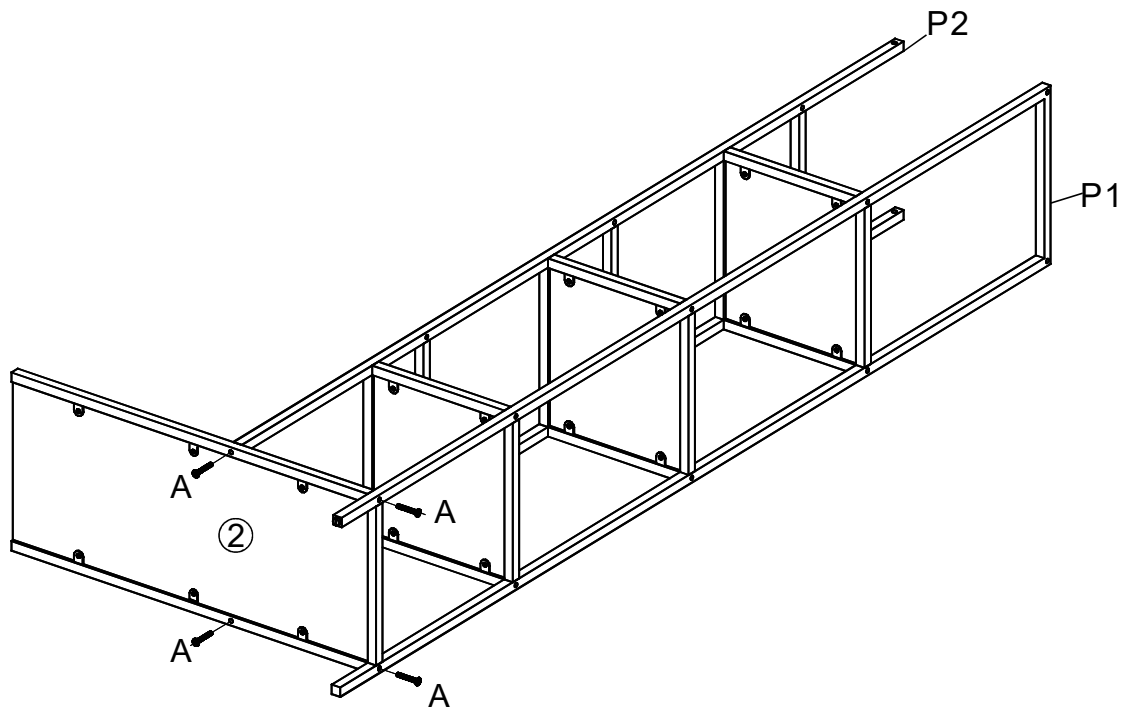
## STEP 2:

1. Attach main frame P2 to panels 3 with part A using allen key F.



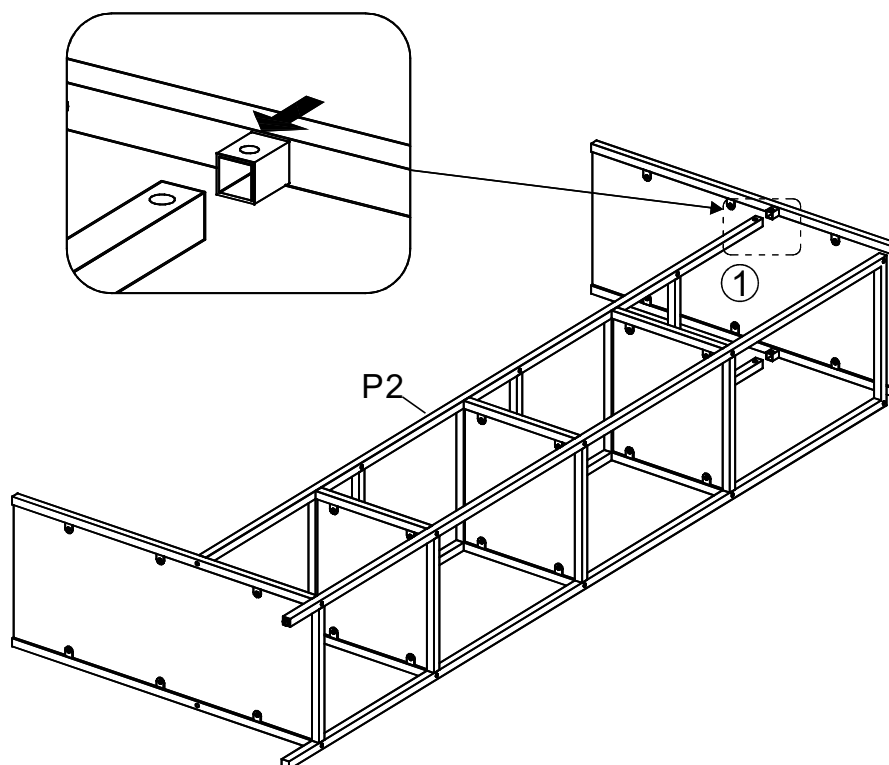
## STEP 3:

1. Attach panel 2 to main frames P1 and P2 with part A using allen key F.



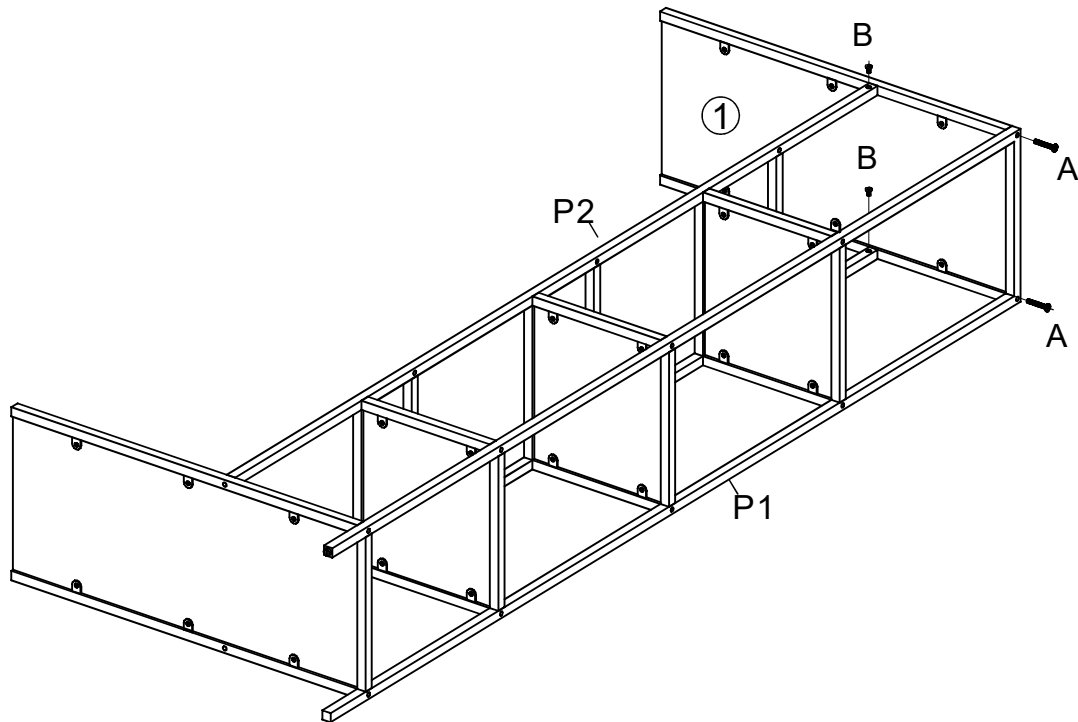
## STEP 4:

1. Insert panel 1 into main frame P2.



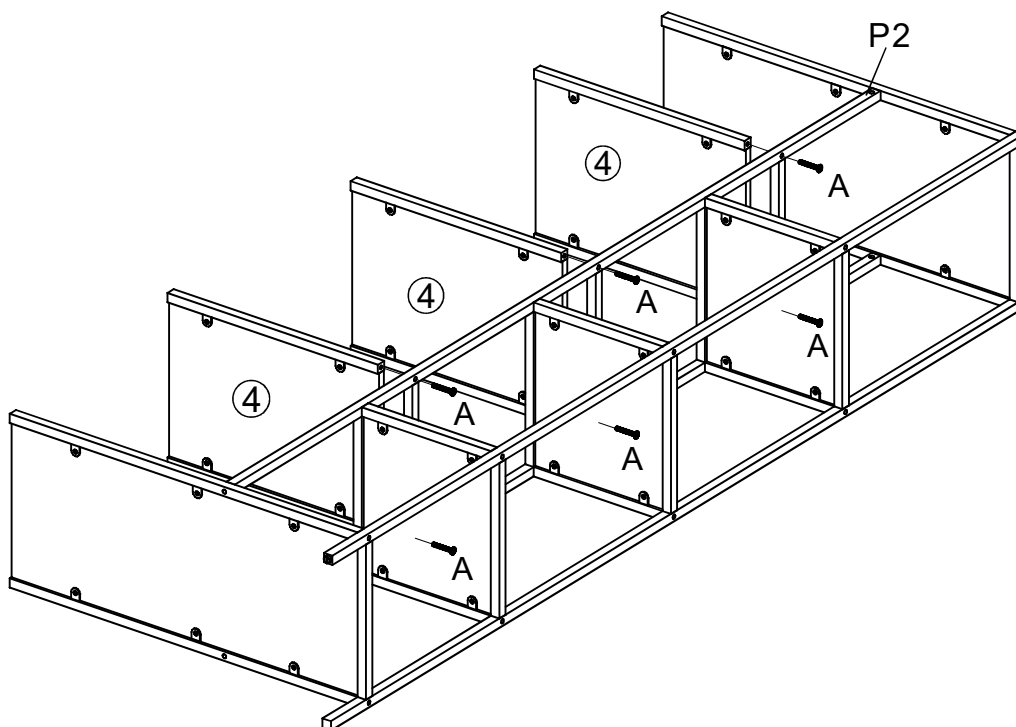
# STEP 5

1. Attach panel 1 to main frames P1 and P2 with parts A and B using allen key F.



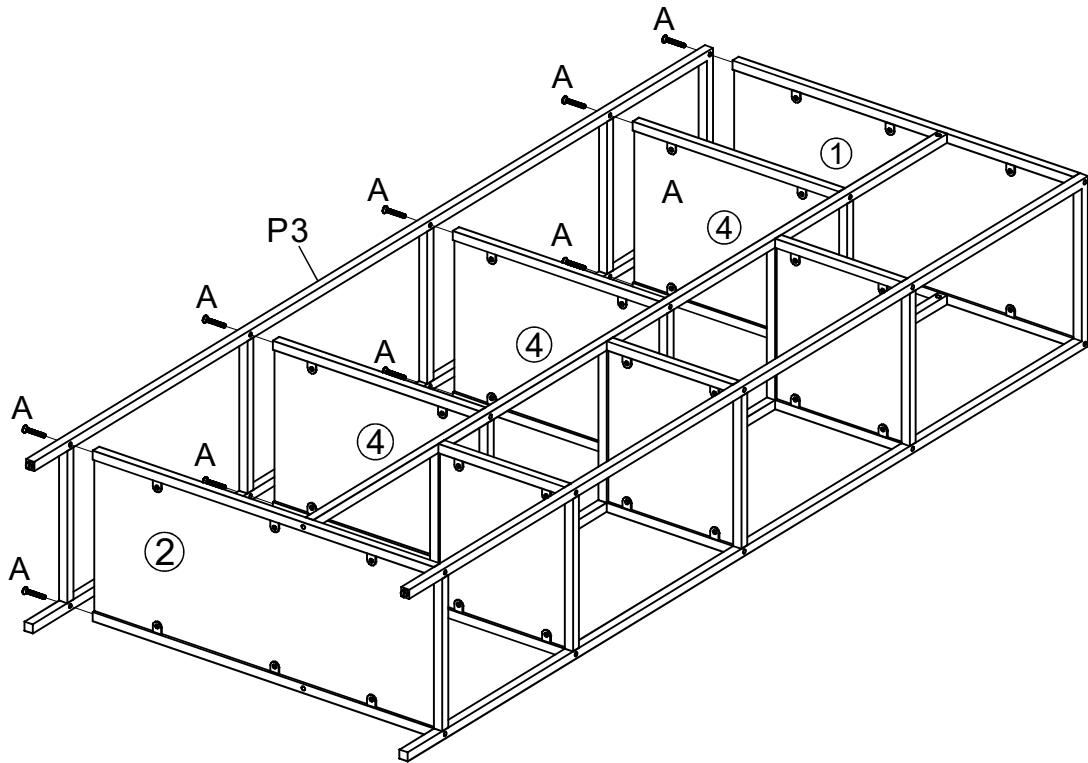
# STEP 6

1. Attach panels 4 to main frame P 2 with part A using allen key F.



## STEP 7

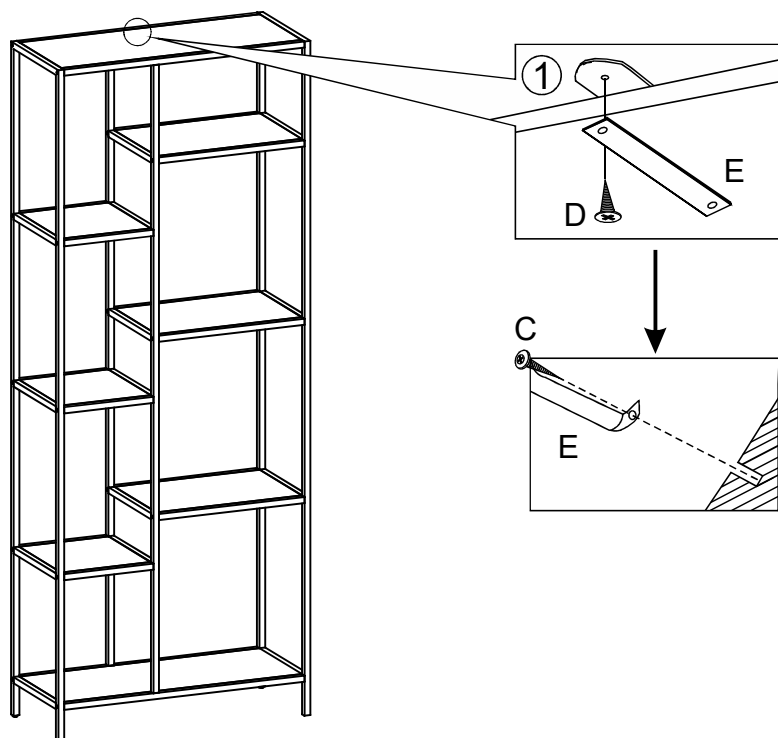
1. Attach main frame P3 to panels 1, 2 and 4 with part A using allen key F.



## STEP 8

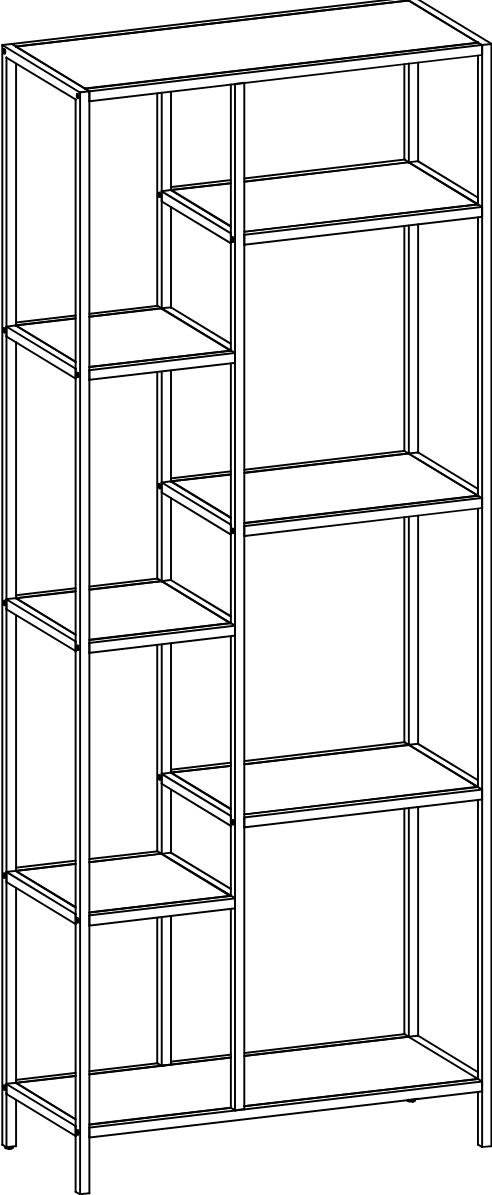
Install Tip Kit

1. Attach part E to the back of panel 1 with part D.
2. Attach part E to the wall with part C.



# STEP 9

Assembly complete!





## **To protect your furniture, we suggest the following:**

- Avoid placing your furniture in direct sunlight.
- Do not place furniture directly under windows.
- Do not place sharp materials (knife, fork, etc.) directly onto your furniture as sharp material may scrape and damage the finish.
- Do not place material with high temperature directly onto the surface of your furniture.
- Clean up spills quickly. Water left over a prolonged period of time may cause damage. Alcohol, perfume, nail polishes, aftershave and some medication may cause severe finish damage if not cleaned immediately.
- Use a clean, soft, dry, lint free absorbent cloth to clean your furniture. Do not use any detergent as they may contain ingredients that may react and damage the finish.

**NOTE:** If the above care advise is not adhered to your product warranty may become void